



Remote Controls

***MTA1 CAN, M1 10P CAN,
AT1 CAN, AT1 CF CAN, M1, AT1,
AT1 CF, RA 12, RA 23, RA T1,
FS 002 CAN, FS 002,
T1 Foot CAN, ER 1, ER 1F***



Spare parts list

Ordering numbers

0459 491 880	Remote control MTA1 CAN
0459 491 882	Remote control M1 10Prog CAN
0459 491 883	Remote control AT1 CAN
0459 491 884	Remote control AT1 CoarseFine CAN
0459 491 895	Remote control M1
0459 491 896	Remote control AT1
0459 491 897	Remote control AT1 CoarseFine
0459 491 910	Remote control adapter RA 12 with holder
0459 491 911	Remote control adapter RA 23 with holder
0459 491 912	Remote control adapter RA T1 with holder and 4 - 12 pole connection cable
0459 491 913	Remote control adapter RA T1 with holder and 4 - 10 pole connection cable
0349 090 890	Remote control FS 002 CAN with 5 m connection cable
0349 090 886	Remote control FS 002 with 5 m connection cable
0460 315 880	Remote control T1 Foot CAN with 5 m connection cable and 12 pole plug
0460 315 881	Remote control T1 Foot CAN with 5 m connection cable and 10 pole plug
0445 536 880	Remote control ER 1 with 4 pin, 5 m (16.4 ft) cable
0445 536 881	Remote control ER 1 with 6 pin, 5 m (16.4 ft) cable
0445 536 882	Remote control ER 1 with 6 pin, 10 m (32.8 ft) cable
0445 536 883	Remote control ER 1 with 6 pin, 25 m (82 ft) cable
0445 550 880	Remote control ER 1F with 4 pin, 5 m (16.4 ft) cable
0445 550 881	Remote control ER 1F with 6 pin, 5 m (16.4 ft) cable
0445 550 882	Remote control ER 1F with 6 pin, 10 m (32.8 ft) cable

Spare parts may be ordered through your nearest ESAB dealer, see [esab.com](https://www.esab.com). When ordering, please state product type, serial number, denominations and ordering numbers according to the spare parts list. This facilitates dispatch and ensures correct delivery.

Maintenance and repair work should be performed by an experienced person, and electrical work only by a trained electrician. Use only recommended spare parts.

SPARE PARTS LIST	4
MTA1 CAN, M1 10P CAN, AT1 CAN, AT1 CF CAN, RA 12, RA 23, RA T1	4
M1, AT1, AT1 CF	7
FS 002 CAN	8
FS 002	9
T1 Foot CAN	10
ER 1F	12
ER 1	13
Accessories for MTA1 CAN, M1 10P CAN, AT1 CAN, AT1 CF CAN, RA 12, RA 23, RA T1, M1, AT1, AT1 CF, FS 002 CAN, FS 002, ER 1, ER 1F	15

SPARE PARTS LIST

MTA1 CAN, M1 10P CAN, AT1 CAN, AT1 CF CAN, RA 12, RA 23, RA T1

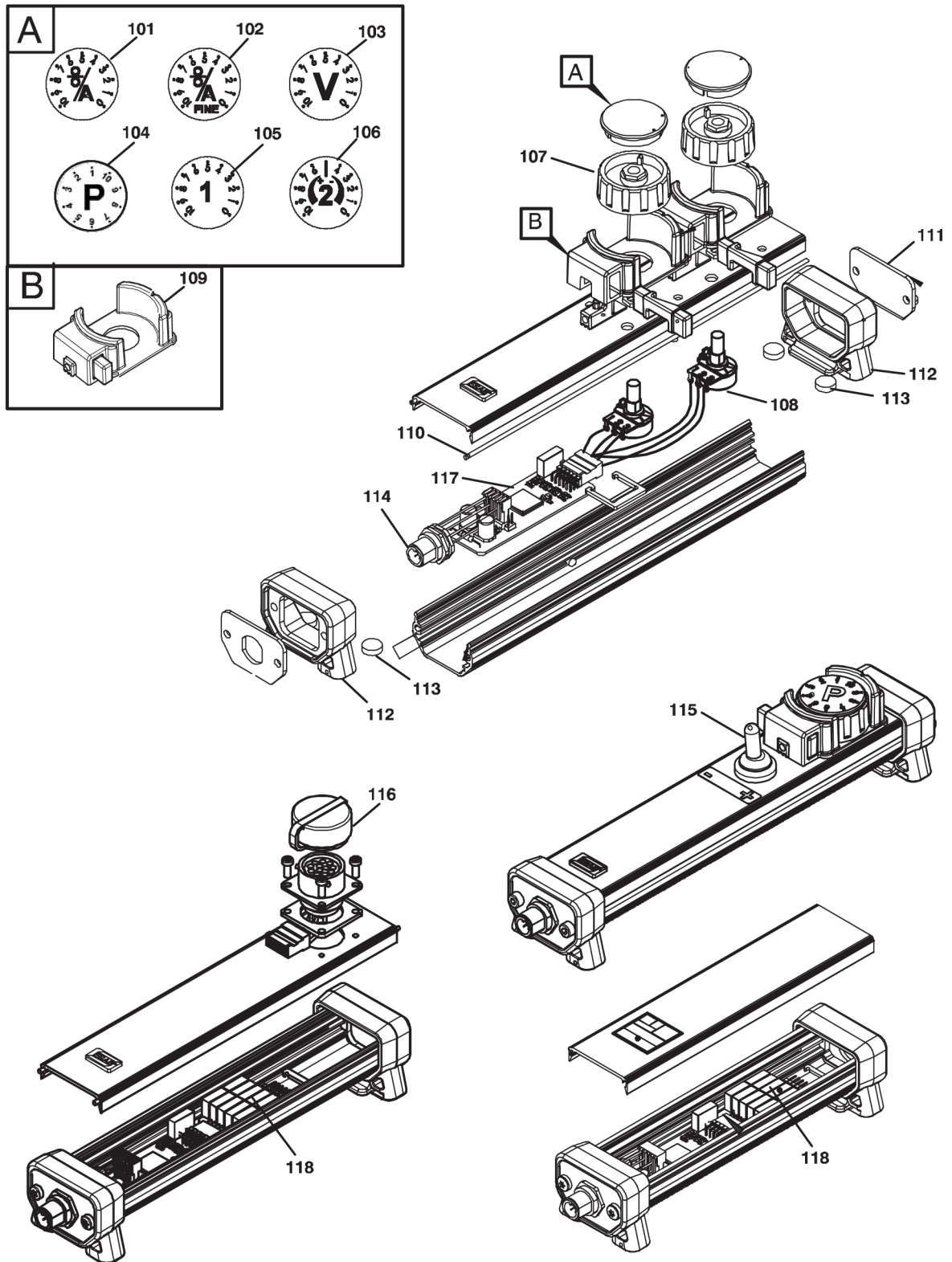
C = component designation in the circuit diagram

Item	Ordering no.	Denomination	MTA1 CAN	M1 10P CAN	AT1 CAN	AT1 CF CAN	RA 12	RA 23	RA T1	C
101	See item 150	Knob cover Wire / A	-	-	1	1	-	-	-	
102	See item 150	Knob cover Wire / A Fine	-	-	-	1				
103	See item 150	Knob cover V	-	-	-	-	-	-	-	
104	See item 150	Knob cover 10P	-	1	-	-	-	-	-	
105	See item 150	Knob cover 1	1	-	-	-	-	-	-	
106	See item 150	Knob cover 2	1	-	-	-	-	-	-	
107	0459 529 001	Knob	2	1	1	2	-	-	-	
108	0459 561 880	Cable set, M1, with potentiometers	1	-	-	-	-	-	-	43R1 43R2
	0459 561 881	Cable set, M1 10P, with switches	-	1	-	-	-	-	-	43S1 43S2
	0459 561 882	Cable set, AT1, with potentiometer	-	-	1	-	-	-	-	43R1
	0459 561 883	Cable set, AT1 CF, with potentiometers	-	-	-	1	-	-	-	43R3 43R4
109	0459 536 880	Lock	2	1	1	2	-	-	-	
110	0459 543 001	Sealing strip	2	2	2	2	2	2	2	
111	0459 531 001	End piece with hook	1	1	1	1	1	1	-	
112	0459 541 001	Rubber end piece	2	2	2	2	2	2	2	
113	0459 542 001	Magnet	4	4	4	4	-	-	-	
114	0459 551 880	Connection CAN	1	1	1	1	1	1	-	
114 a	0459 551 883	Connection CAN, female	-	-	-	-	-	-	1	
115	0147 866 009	Cover rubber	-	1	-	-	-	-	-	
116	0366 285 001	Protection cap	-	-	-	-	1	-	-	
	0455 516 001	Protection cap	-	-	-	-	-	1	-	
117	0460 146 880	CAN adapter board *	1	1	1	1	1	1	1	43AP1
118	0487 230 880	Filter board	-	-	-	-	-1	1	1	43AP2

*) Item 117 CAN adapter board must be configured when installed.

SPARE PART SET

Item	Ordering no.	Denomination	Notes
150	0459 698 880	Knob cover set	Contains items 101, 102, 103, 104, 105 and 106



Machine ID for remotes:

ID no	Product	Notes
1	RA 23	
1	RA 12	Up to and including serial number 506- 640- 4574
2	RA 12	From serial number 506- 640- 4575
3	AT1 CAN	
3	AT1 CF CAN	
4	MTA1 CAN	
6	M1 10Prog CAN	
10	RA T1	

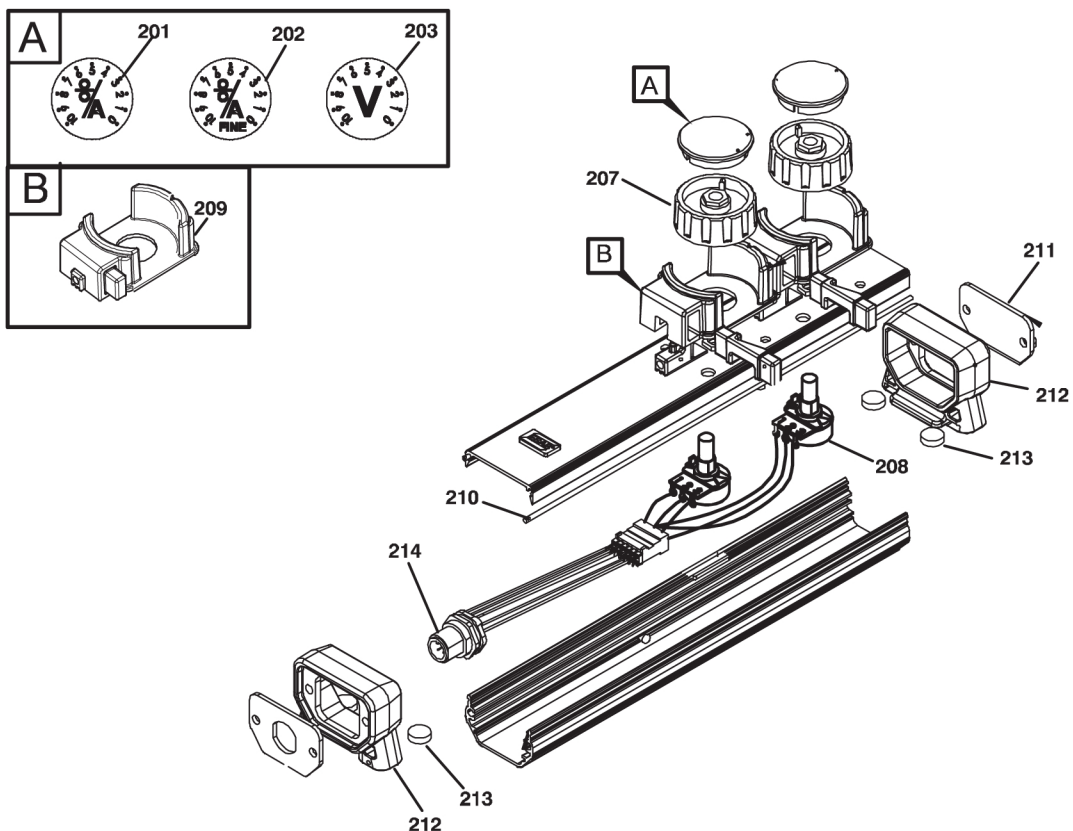
M1, AT1, AT1 CF

C = component designation in the circuit diagram

Item	Ordering no.	Denomination	M1	AT1	AT1 CF	C
201	See item 250	Knob cover Wire / A	1	1	1	
202	See item 250	Knob cover Wire / A Fine	-	-	1	
203	See item 250	Knob cover V	1	-	-	
207	0459 529 001	Knob	2	1	2	
208	0459 561 880	Cable set, M1, with potentiometers	1	-	-	43R1, 43R2
	0459 561 882	Cable set, AT1, with potentiometer	-	1	-	43R1
	0459 561 883	Cable set, AT1 CF, with potentiometers	-	-	1	43R3, 43R4
209	0459 536 880	Lock	2	1	2	
210	0459 543 001	Sealing strip	2	2	2	
211	0459 531 001	End piece with hook	1	1	1	
212	0459 541 001	Rubber end piece	2	2	2	
213	0459 542 001	Magnet	4	4	4	
214	0459 551 881	Connection analogue	1	1	1	

SPARE PART SET

Item	Ordering no.	Denomination	Notes
250	0459 698 880	Knob cover set	Contains items 201, 202, 203, 104, 105 and 106

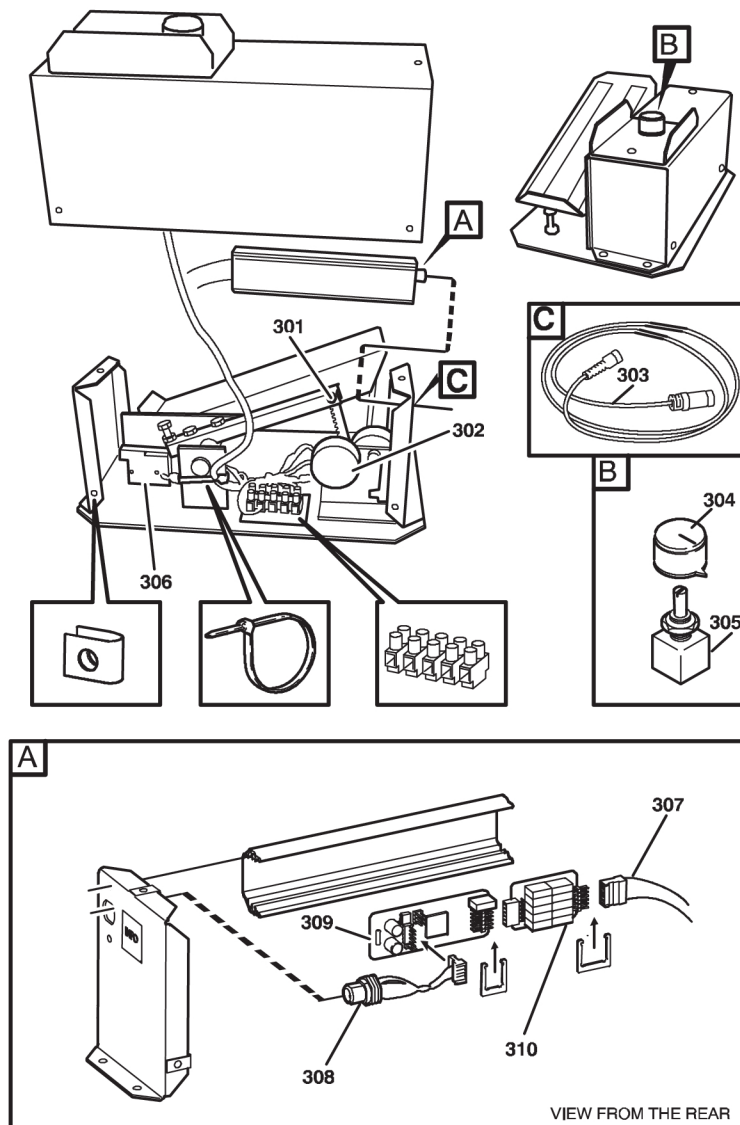


FS 002 CAN

C = component designation in the circuit diagram

Item	Qty	Ordering no.	Denomination	Notes	C
301	1		Roll pin	D3x20 mm	
302	1	0369 171 880	Potentiometer complete	10 kohm	43R2
303	1	0459 554 880	Remote cable CAN	12 pole, 5 metre	
304	1	0191 510 106	Knob		
305	1	0191 870 212	Potentiometer	2.5 kohm	43R1
306	1	0347 178 001	Micro switch		43SB1
307	1	0459 696 880	Cable set		43XS3
308	1	0459 551 880	Connection CAN		43XP2
309	1	0460 146 880	CAN adapter board *	Must be configured when installed *	43AP1
310	1	0487 230 880	Filter board		43AP2

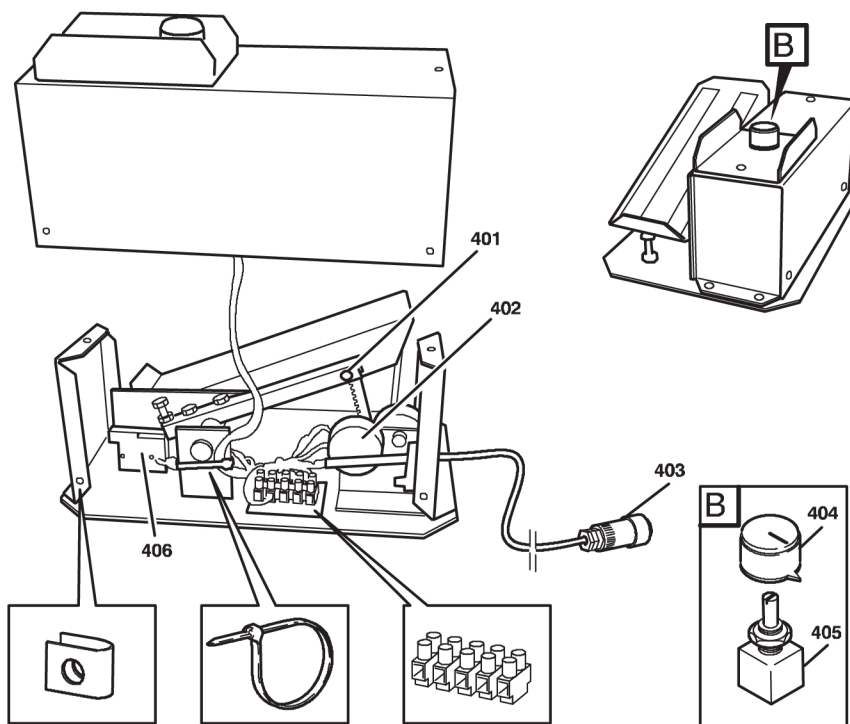
*) Machine ID = 5



FS 002

C = component designation in the circuit diagram

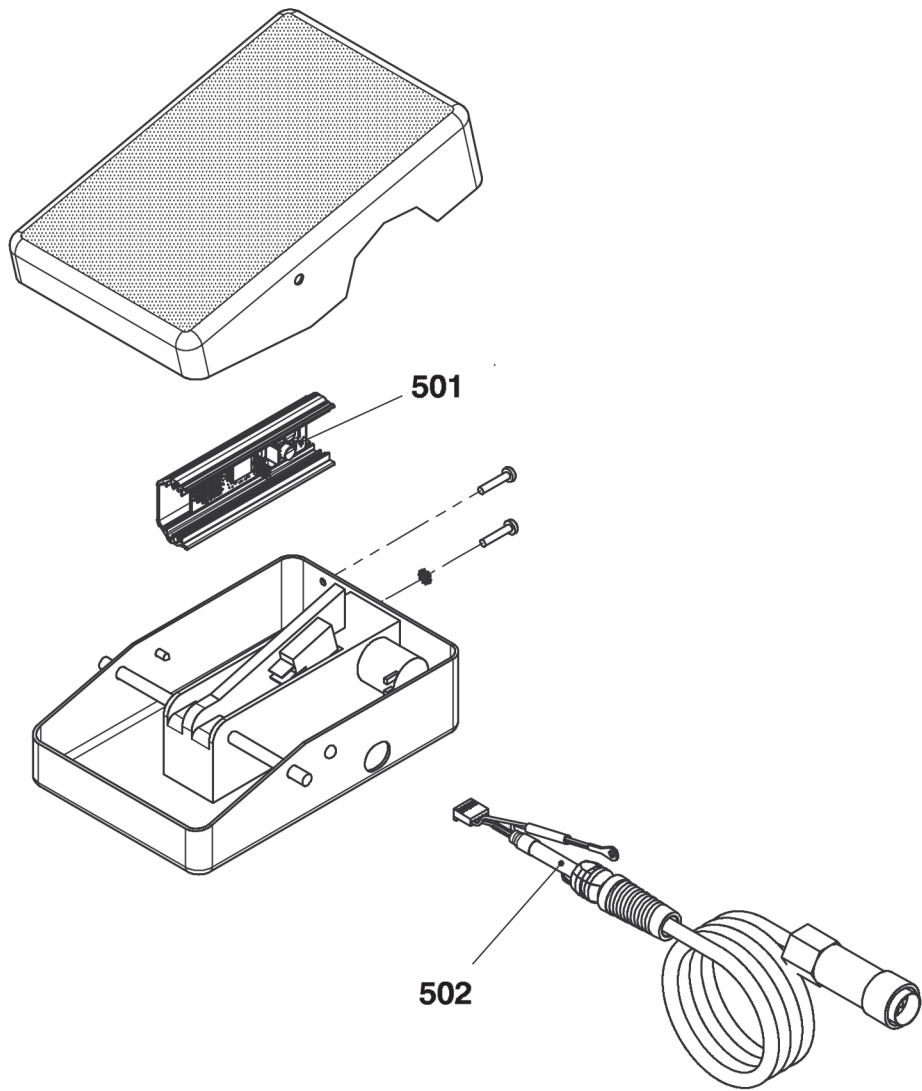
Item	Qty	Ordering no.	Denomination	Notes	C
401	1		Roll pin	D3x20 mm	
402	1	0369 171 880	Potentiometer complete	10 kohm	43R2
403	1	0349 086 881	Connection cable	12 pole, 5 metre	
	1	0368 541 003	Pin plug	Included in item 403	
	5	0193 513 005	Connector pin	Included in item 403	
404	1	0191 510 106	Knob		
405	1	0191 870 212	Potentiometer	2.5 kohm	43R1
406	1	0347 178 001	Micro switch		43SB1



T1 Foot CAN**C = component designation in the circuit diagram**

Item	Qty	Ordering no.	Denomination	Notes	C
501	1	0460 146 880	CAN adapter board*	Must be configured when installed*	43AP1
502	1	0459 554 885	Remote CAN cable	With 12 pole plug	43XP4
	1	0459 960 885	Remote CAN cable	With 10 pole plug	43XP4

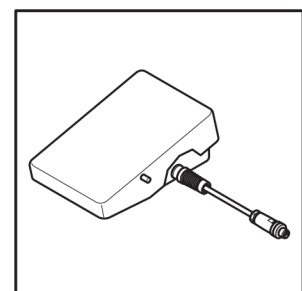
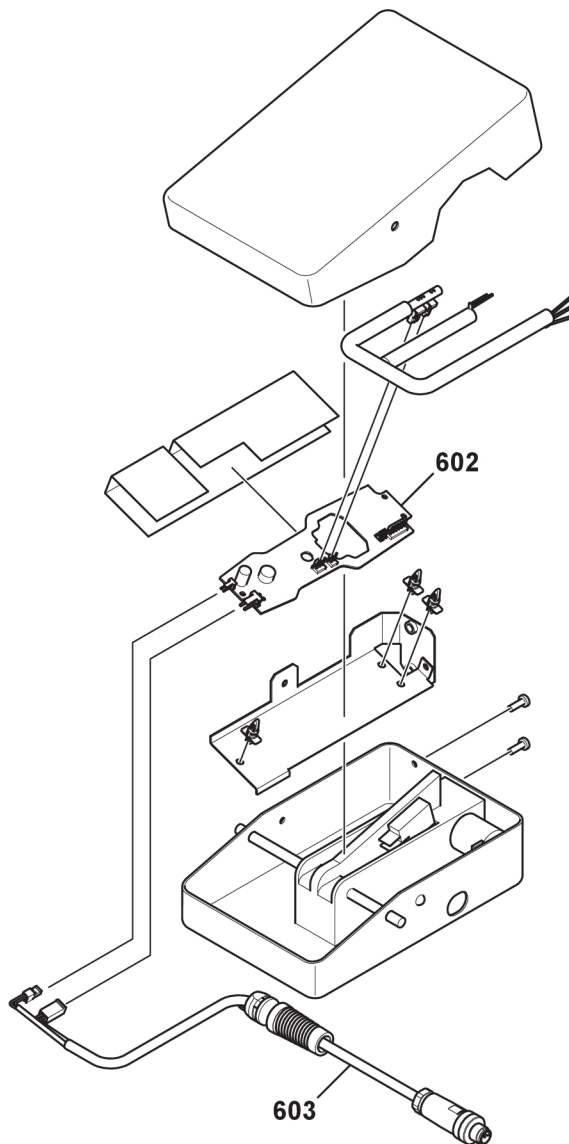
*) Machine ID = 11



ER 1F

C = component designation in the circuit diagram

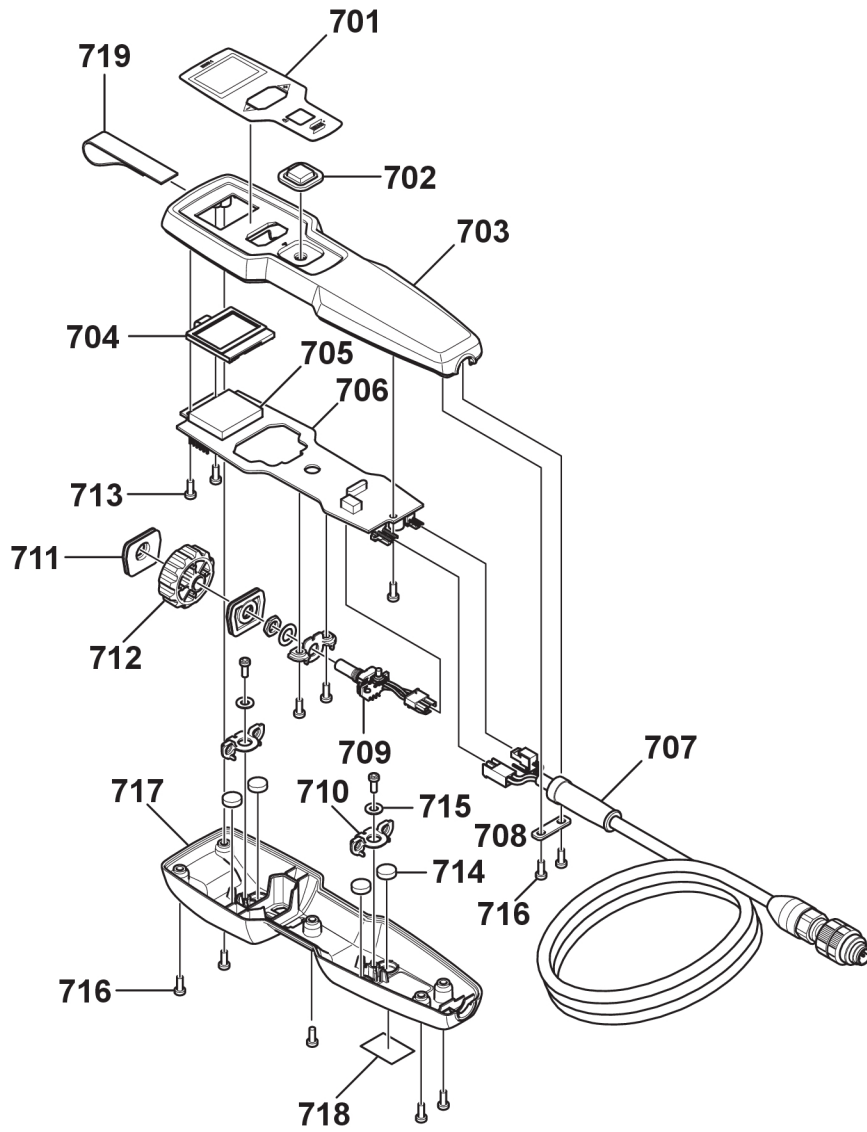
Item	Qty	Ordering no.	Denomination	Notes	C
			Foot control		
602	1	0440 184 881	PCBA Control board ER 1F	The product needs to be configured after replacement. See the service manual.	
603	1	0445 451 880	Interconnection cable 4 pin, 5 m (16.4 ft)		
		0445 254 880	Interconnection cable 6 pin, 5 m (16.4 ft)		



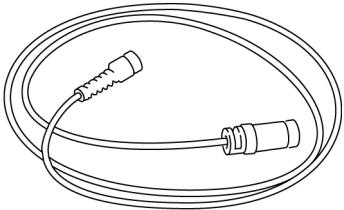
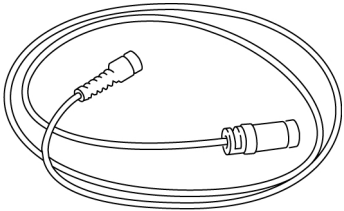
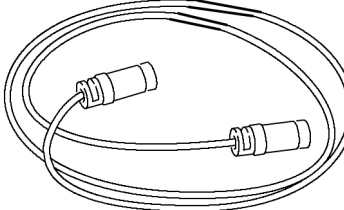
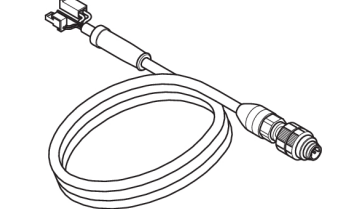
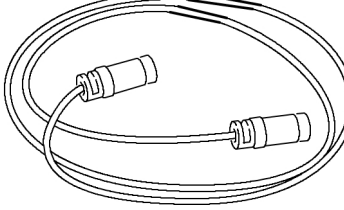
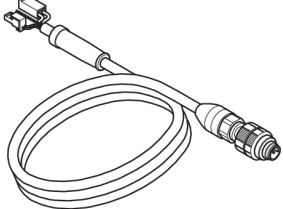
ER 1**C = component designation in the circuit diagram**

Item	Qty	Ordering no.	Denomination	Notes	C
701	1		Overlay	Incl. in 751	
702	1		Rubber button	Incl. in 751	
703	1		Top panel	Incl. in 751	
704	1	0445 415 001	LCD Display 96×64		21XS2
705	1		Foam	Incl. in 752	
706	1		PCBA Control board ER 1	Incl. in 752	21AP1
707	1	0445 450 880	Interconnection cable 4 pin, 5 m (16.4 ft)		
		0445 280 880	Interconnection cable 6 pin, 5 m (16.4 ft)		
708	1	0445 538 001	Strain relief plate		
709	1		Encoder harness	Incl. in 753	
710	3		Encoder holder	Incl. in 753, 754	
711	2		Encoder bearing part	Incl. in 753	
712	1		Wheel knob	Incl. in 753	
713	6		Screw Remform	M3x8	
714	4		Magnet	Incl. in 754	
715	2		Washer	M4	
716	7		Screw	M3x8	
717	1		Bottom panel	Incl. in 754	
718	1		Rating plate ER 1		
719	1		Velcro strap	Incl. in 754	

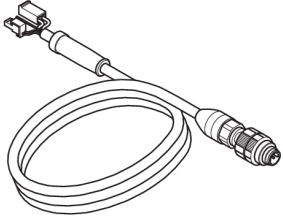
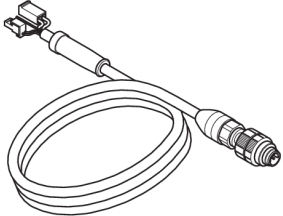
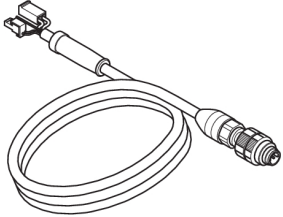
Item	Qty	Ordering no.	Denomination	Notes	C
751	1	0464 594 880	Top panel compl.		
752	1	0464 595 880	PCBA Control board ER 1	The product needs to be configured after replacement. See the service manual.	
753	1	0464 596 880	Encoder compl.		
754	1	0464 597 880	Bottom panel compl.		



**Accessories for MTA1 CAN, M1 10P CAN, AT1 CAN,
AT1 CF CAN, RA 12, RA 23, RA T1, M1, AT1, AT1 CF,
FS 002 CAN, FS 002, ER 1, ER 1F**

Remote cable CAN 4 pole - 12 pole		
0459 554 884	0.25 m (0.82 ft)	
0459 554 880	5 m (16.4 ft)	
0459 554 881	10 m (32.8 ft)	
0459 554 882	15 m (49.2 ft)	
0459 554 883	25 m (82.0 ft)	
0459 554 980	5 m (16.4 ft) Heavy duty	
0459 554 981	10 m (32.8 ft) Heavy duty	
Remote cable CAN 4 pole - 10 pole		
0459 960 883	0.25 m (0.82 ft)	
0459 960 880	5 m (16.4 ft)	
0459 960 881	10 m (32.8 ft)	
0459 960 882	25 m (82.0 ft)	
0459 960 980	5 m (16.4 ft) Heavy duty	
0459 960 981	10 m (32.8 ft) Heavy duty	
0459 960 982	25 m (82.0 ft) Heavy duty	
Remote cable 8 pole - 12 pole for remote controls AT1 and AT1 CF		
0459 552 880	5 m (16.4 ft)	
0459 552 881	10 m (32.8 ft)	
0459 552 882	15 m (49.2 ft)	
0459 552 883	25 m (82.0 ft)	
Remote cable 8 pole - 23 pole for remote control M1		
0459 553 880	5 m (16.4 ft)	
Extension cable 12 pole for remote controls AT1, AT1 CF and FS 002		
0367 662 880	25 m (82.0 ft)	
Interconnection cable, 4 pin for remote control ER 1		
0445 450 880	5 m (16.4 ft)	

SPARE PARTS LIST

Interconnection cable, 6 pin for remote control ER 1		
0445 280 880	5 m (16.4 ft)	
0445 280 881	10 m (32.8 ft)	
0445 280 882	25 m (82.0 ft)	
Interconnection cable, 4 pin for remote control ER 1F		
0445 451 880	5 m (16.4 ft)	
Interconnection cable, 6 pin for remote control ER 1F		
0445 254 880	5 m (16.4 ft)	
0445 254 881	10 m (32.8 ft)	



A WORLD OF PRODUCTS AND SOLUTIONS.



For contact information visit esab.com

ESAB AB, Lindholmsallén 9, Box 8004, 402 77 Gothenburg, Sweden, Phone +46 (0) 31 50 90 00

manuals.esab.com

